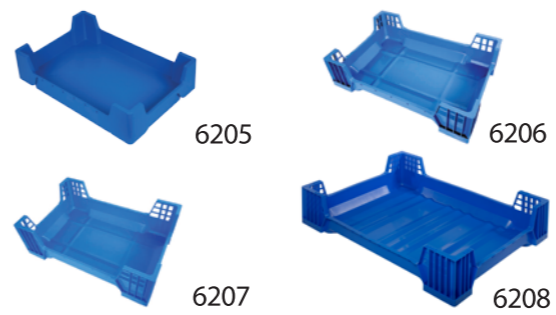


WE DEVELOP A SOLUTION FOR YOUR PRODUCT OR PROCESS



PLASTIC BREEDING SOLUTIONS FOR BREEDING INSECTS MEALWORM - BLACK SOLDIER FLY - BUFFALO WORM

Beekenkamp Verpakkingen has been developing plastic packaging solutions for the Potato, Vegetable and Fruit (AGF) sector for over 40 years. Beekenkamp has been active within the insect sector since 2018, developing plastic breeding boxes for the production of high-quality protein. Insect breeding generally always takes place on a large scale and requires the boxes to be handled frequently. For this reason, the boxes are constructed such that they will last for years. Together with specialists in the field of automation, we have looked at the most efficient automated processing method for these new breeding boxes.

The ingenious proportions of the boxes in relation to breeding and stacking height make the boxes ideal for achieving high yields and returns. In addition to a great deal of heat, a lot of CO2 and ammonia are produced during the breeding process. The box has open corners together with a uniquely designed long side, especially for this purpose. Together with the smooth base this provides for improved airflow, which increases air displacement. This makes it possible to achieve a more even climate between boxes.

If you are thinking of starting a mealworm, buffalo worm or black soldier fly breeding farm we would be delighted to help you get started with sustainable insect breeding.

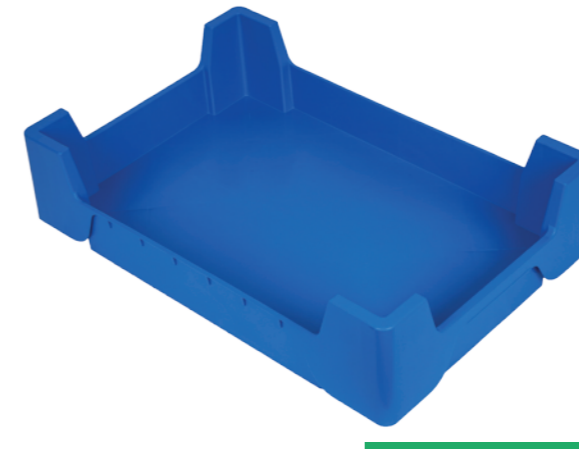
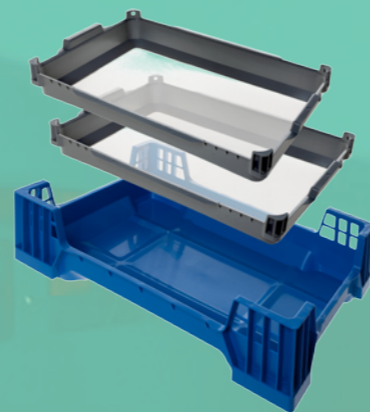
BEETLE INLAY TRAY

Beekenkamp Verpakkingen presents a unique, time saving solution for the mealworm industry with the invention of the new Beetle Inlay tray.

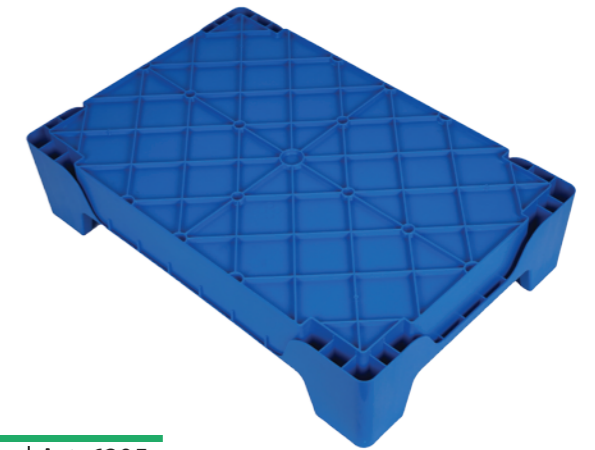
The mealworm production cycle starts with the laying of eggs by the mealworm beetles. With our new Beetle Inlay tray, you can sort the eggs manually or by means of automation. A Beetle Inlay tray with beetles can be placed in our successful 6206 mealworm production tray, and the 6207 BSF breeding tray, which consists entirely of plastic, has very smooth walls and is easy to clean.

After the desired number of days of producing eggs, the Beetle Inlay tray can be removed and placed in the next crate. The production tray with eggs can then be transported to the production area. The Beetle Inlay tray makes optimal use of the bottom of the crate, has a carefully chosen mesh size, so that the eggs can be laid through the mesh, but no eggs can be eaten (cannibalization).

For more information please visit our website:
www.beekenkamp-insect.com



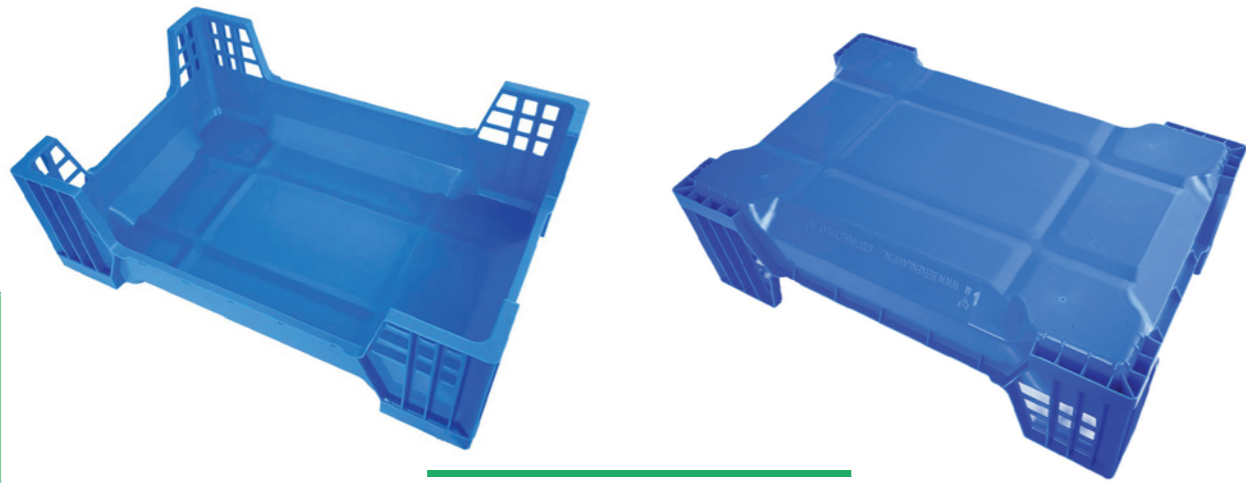
Insect breeding tray | Art. 6205



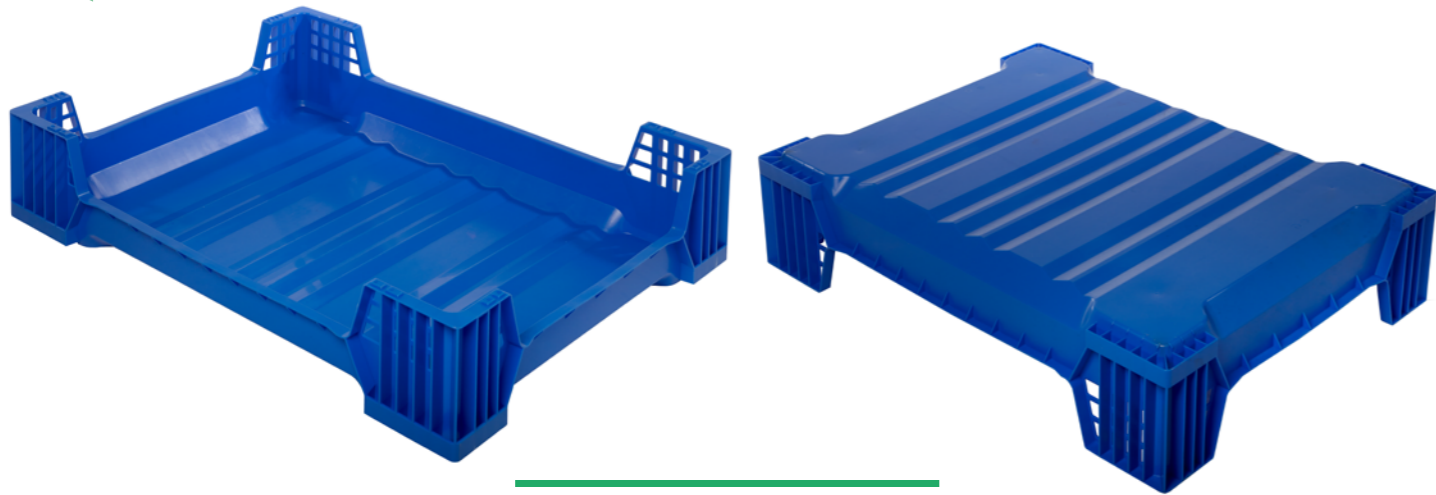
Insect breeding tray | Art. 6206



6205	EXT.	600	400	145	135	1,18	PP	85	1000 x 1200 x 2430	✓
	INT.	591	391	80						
6206	EXT.	600	400	145	135	0,88	PP	85	1000 x 1200 x 2430	✓
	INT.	566	366	80						
6207	EXT.	600	400	190	180	1,02	PP	65	1000 x 1200 x 2500	✓
	INT.	566	366	100						
6208	EXT.	800	600	190	180	3,30	PP	26	800 x 1200 x 2500	✓
	INT.	758	558	100						



Insect breeding tray | Art. 6207



XL Insect breeding tray | Art. 6208



PLASTIC SOLUTIONS FOR
BREEDING INSECTS